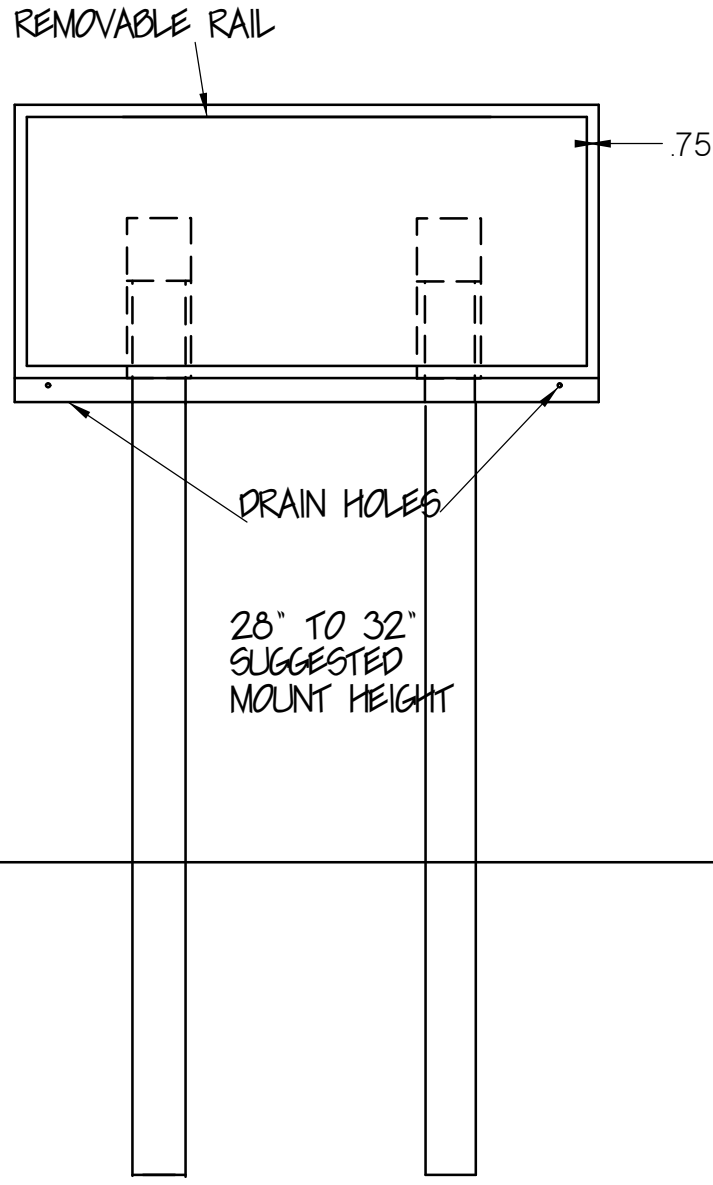
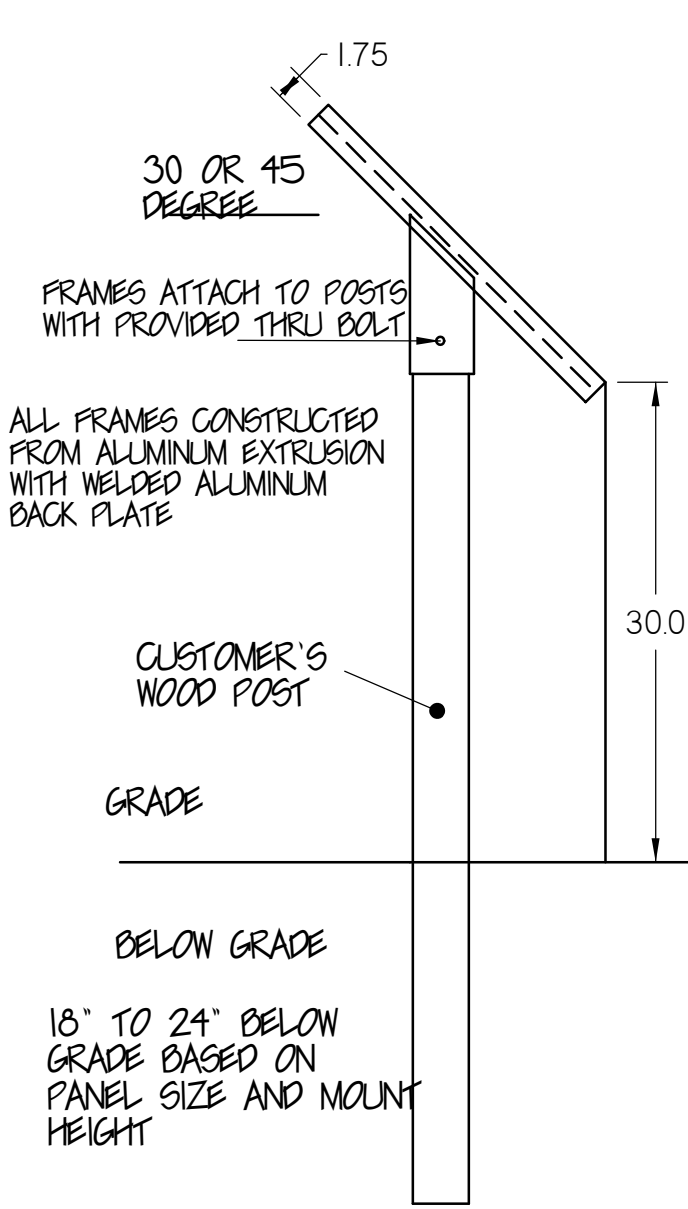


BEST-EXHIBITS
 DIVISION OF DRM DIVERSAFAB
 RUTH@BEST-EXFAB.COM
 WWW.BEST-EXFAB.COM

BEST-EX POST MOUNT SIGN FRAME

ATTACHES TO CUSTOMER SUPPLIED WOOD 4"X4" POST

FRAMES UP TO 18" H X 24" W
 REQUIRE (1) POST
 FRAMES LARGER THAN 18" X 24"
 REQUIRE (2) POSTS
 18" X 24" MAY HAVE 1 OR 2 POSTS



FRAMES ATTACH TO WOOD POST WITH THRU BOLTS - PROVIDED

STANDARD POWDER COAT COLOR BLACK TEXTURE

OPTIONAL COLORS:
 NPS BROWN
 NPS GI CHARCOAL (DARK BROWN)
 NPS YORKTOWN GREEN
 RAL COLOR MATCHING
 WET PAINT COATINGS

FRAME EDGE WILL COVER 5/8" MARGIN ALL EDGES OF PANEL

STANDARD FRAME CONSTRUCTION FOR MAX 1/8" THICK PANEL

CUSTOM FRAME CONSTRUCTION FOR PANELS UP TO 1/4" THICK

FRAMES SIZED TO FIT GRAPHIC PANEL

GRAPHIC PANEL PRODUCED BY OTHERS