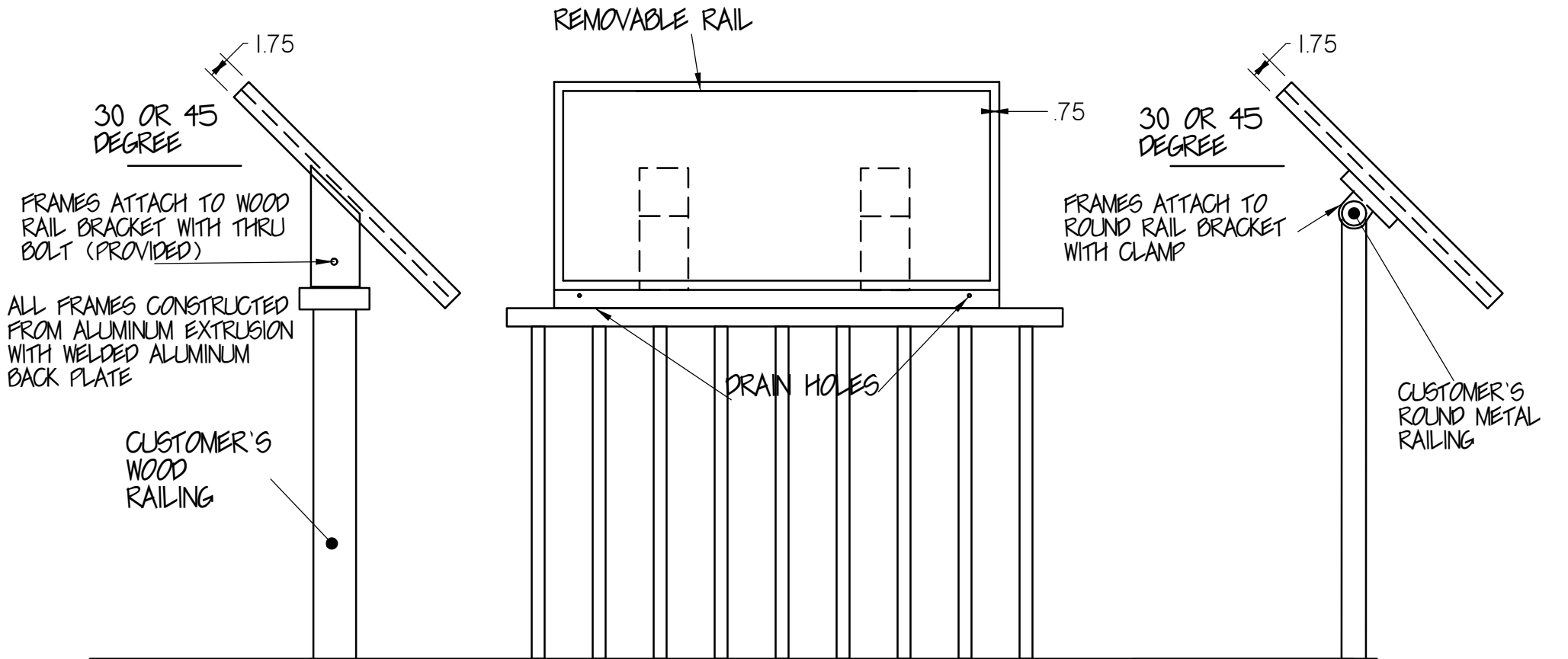


BEST-EXHIBITS
 DIVISION OF DRM DIVERSAFAB
 RUTH@BEST-EXFAB.COM
 WWW.BEST-EXFAB.COM

BEST-EX RAIL MOUNT SIGN FRAME

ATTACHES TO CUSTOMER SUPPLIED WOOD RAIL OR METAL RAIL

CONTACT US FOR SPECIFIC
 RAIL MOUNTING OPTIONS



WOOD RAILING OPTION

STANDARD FRAME CONSTRUCTION
 FOR MAX 1/8" THICK PANEL

CUSTOM FRAME CONSTRUCTION
 FOR PANELS UP TO 1/4" THICK

FRAMES SIZED TO FIT GRAPHIC PANEL

GRAPHIC PANEL PRODUCED BY OTHERS

28" TO 32" SUGGESTED MOUNT HEIGHT
 TO BOTTOM EDGE OF FRAME

ALTERNATIVE MOUNTING METHODS AVAILABLE
 TO BE QUOTED SEPARATELY

ALL FRAMES CONSTRUCTED
 FROM ALUMINUM EXTRUSION
 WITH WELDED ALUMINUM
 BACK PLATE

STANDARD POWDER COAT COLOR
 BLACK TEXTURE

OPTIONAL COLORS:
 NPS BROWN
 NPS G1 CHARCOAL (DARK BROWN)
 NPS YORKTOWN GREEN
 RAL COLOR MATCHING
 WET PAINT COATINGS

ROUND METAL RAIL OPTION

FRAME EDGE WILL COVER
 5/8" MARGIN ALL EDGES OF
 PANEL